

Document suivant en grande taille

Format d'origine "demi" A1 -> 840 x 297 mm

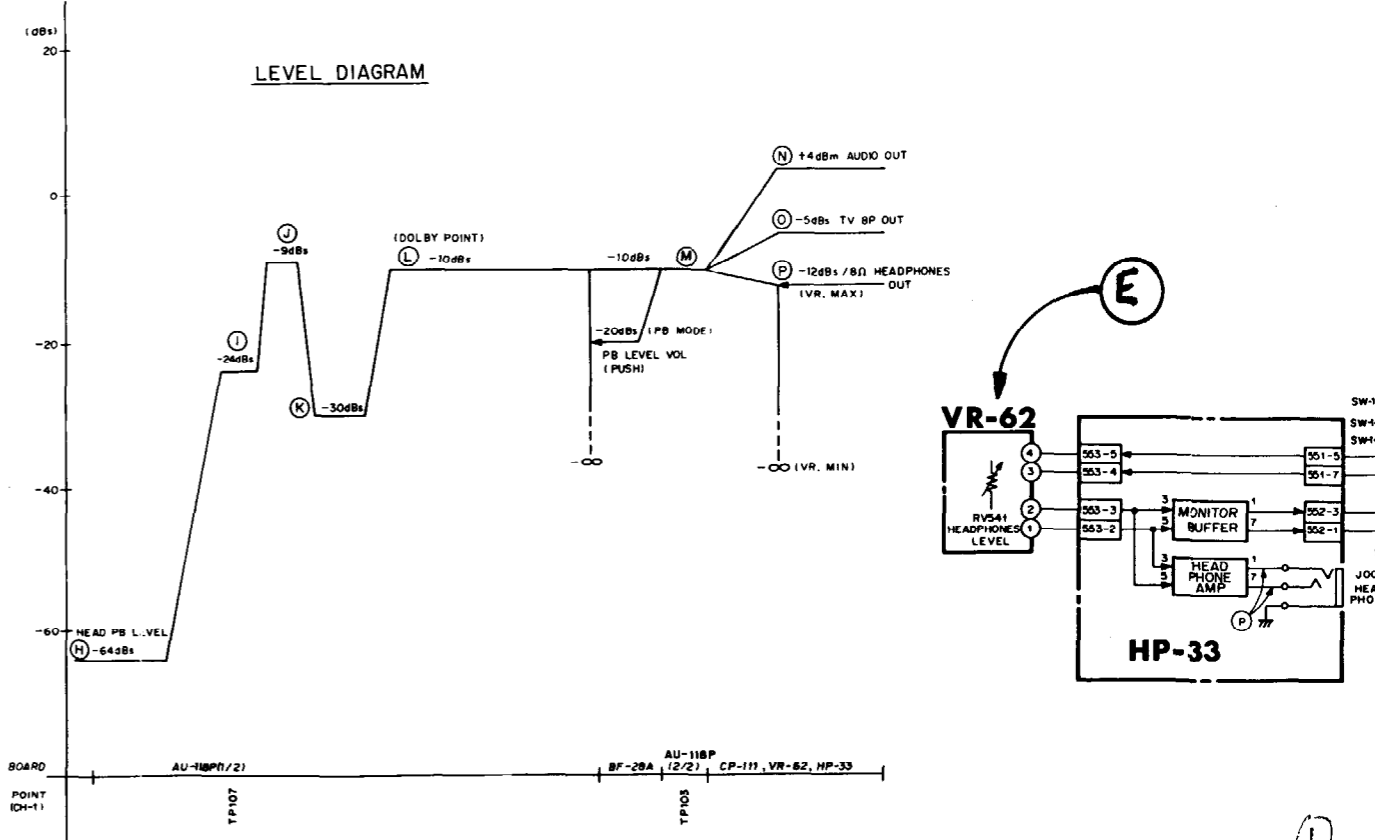
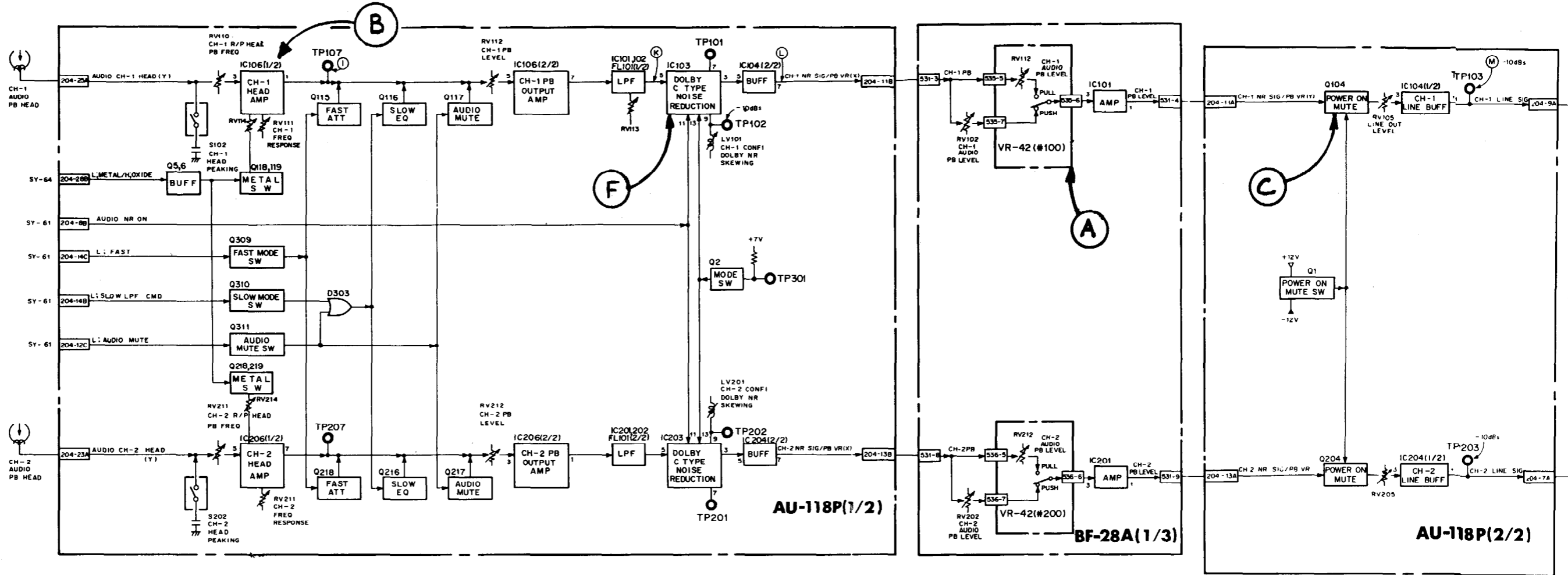
pages suivantes :

Document

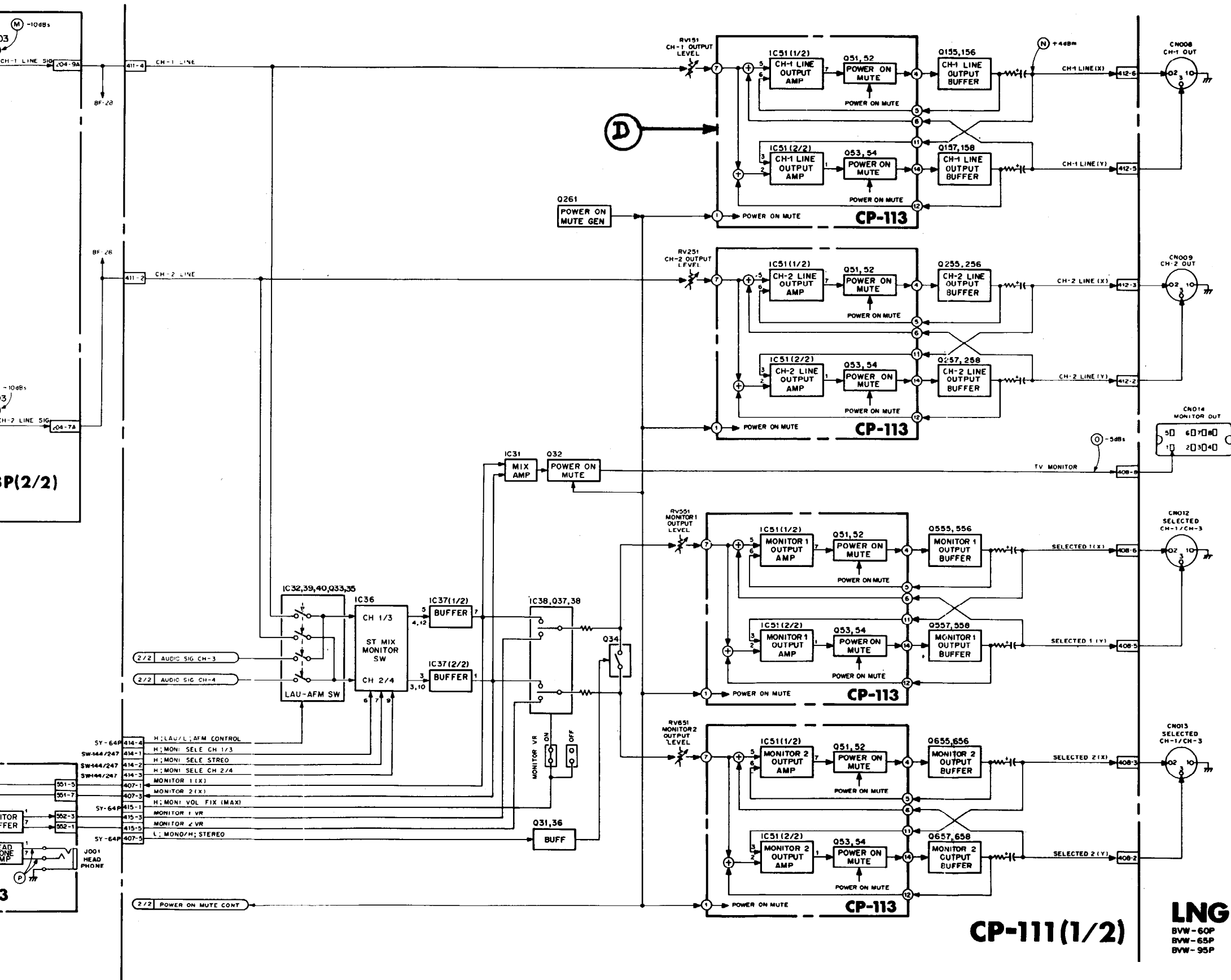
Redécoupé en 2 pages A3 successives

**a**

**b**



LNG AUDIO LNG AUDIO



CP-111(1/2)

LNG AUDIO

BVW-60P  
BVW-65P  
BVW-95P

Document suivant en grande taille

Format d'origine "demi" A1 -> 840 x 297 mm

pages suivantes :

Document

Redécoupé en 2 pages A3 successives

**a**

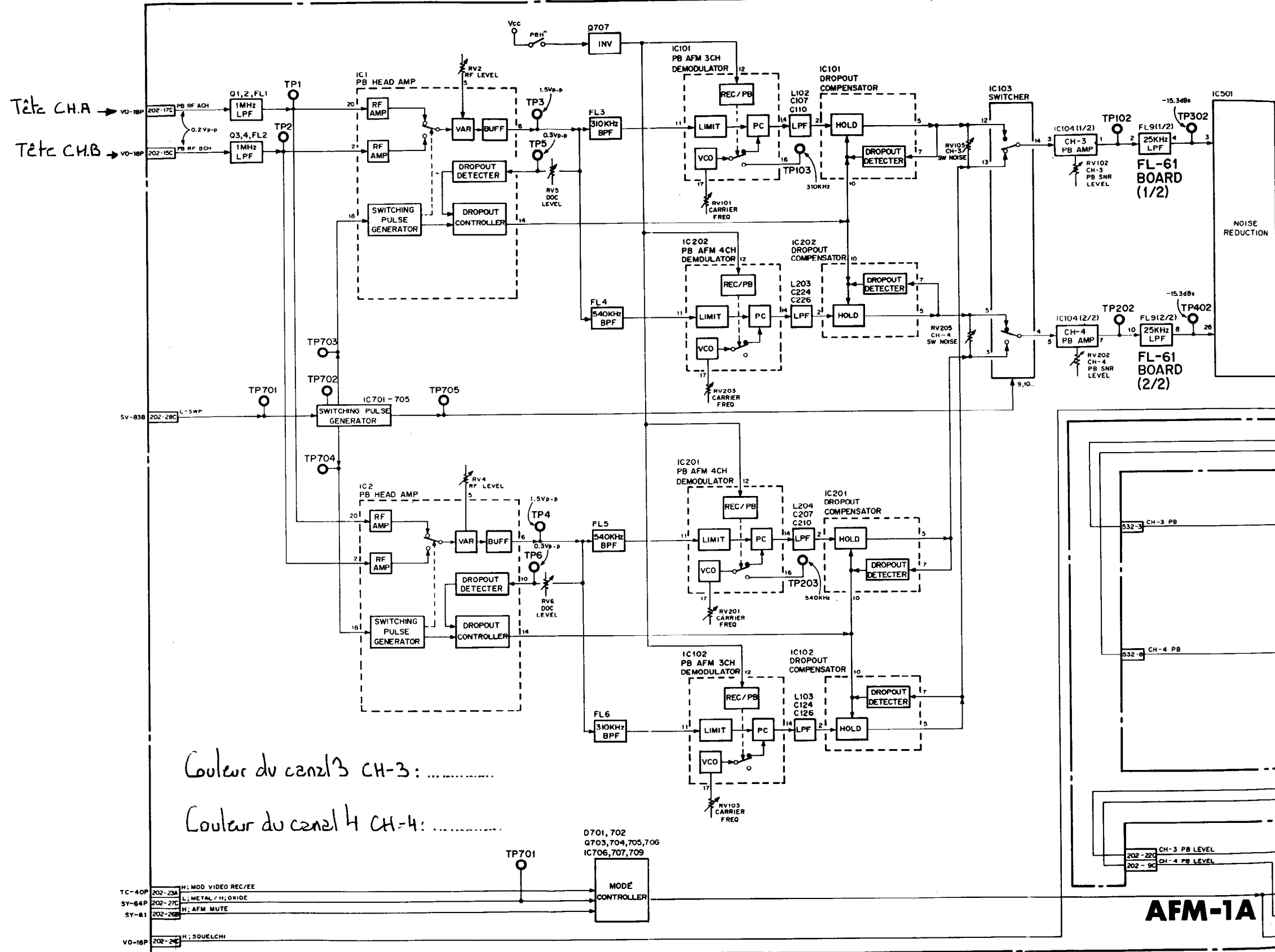
**b**

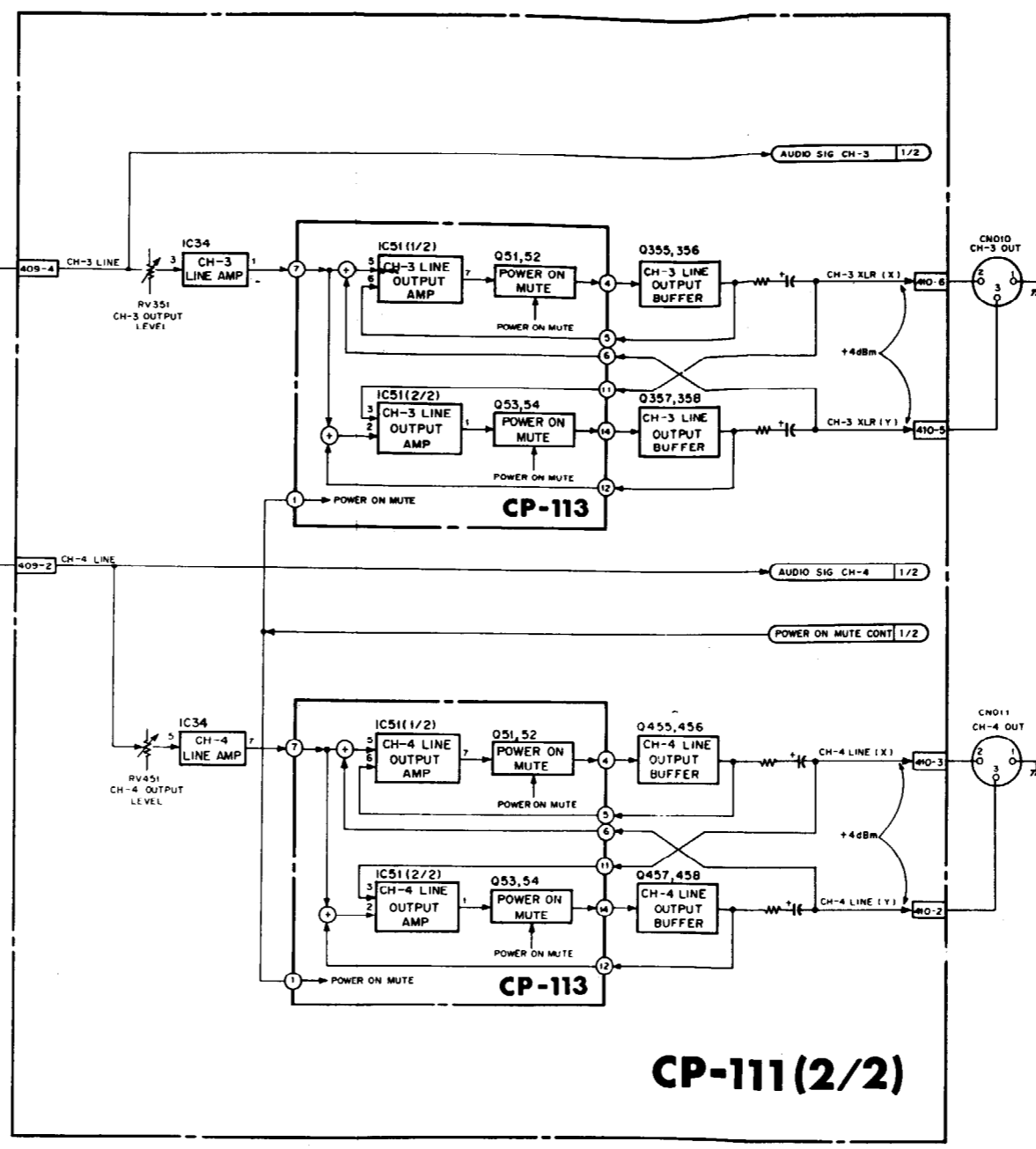
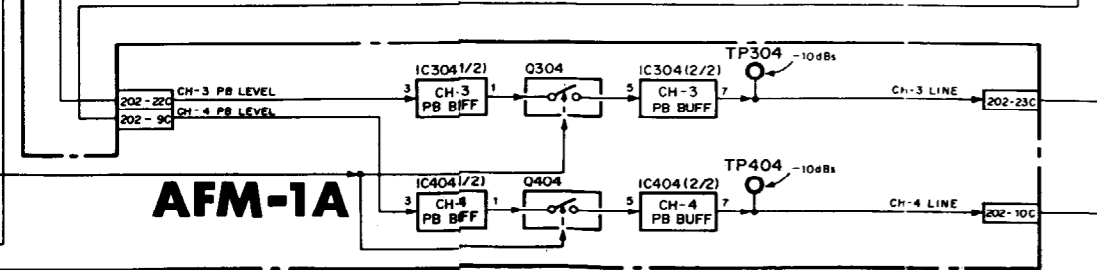
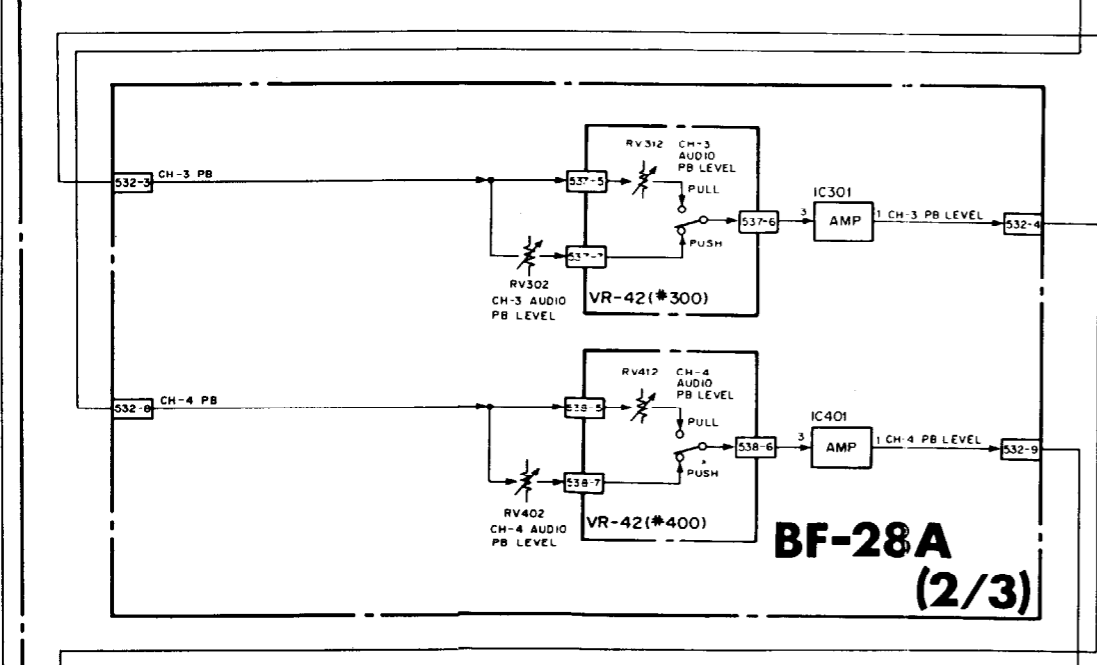
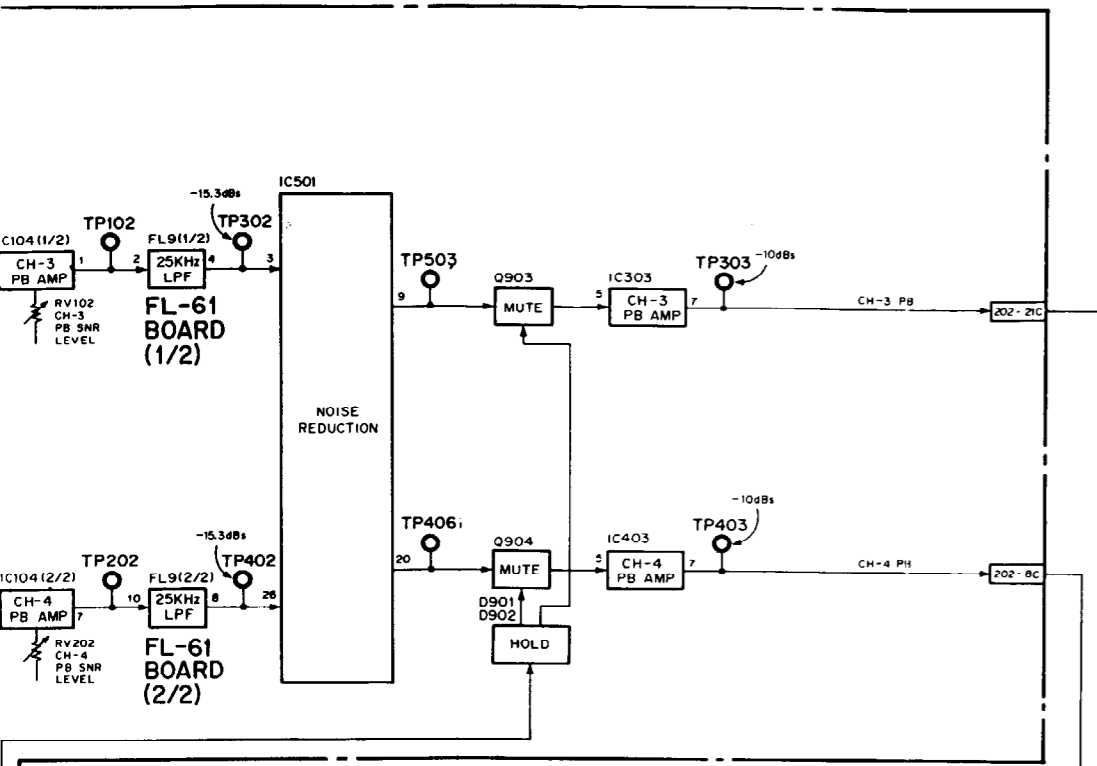
# DOCUMENT E - 2

Document réponse à joindre à votre copie

## AFM AUDIO AFM AUDIO

AVETES

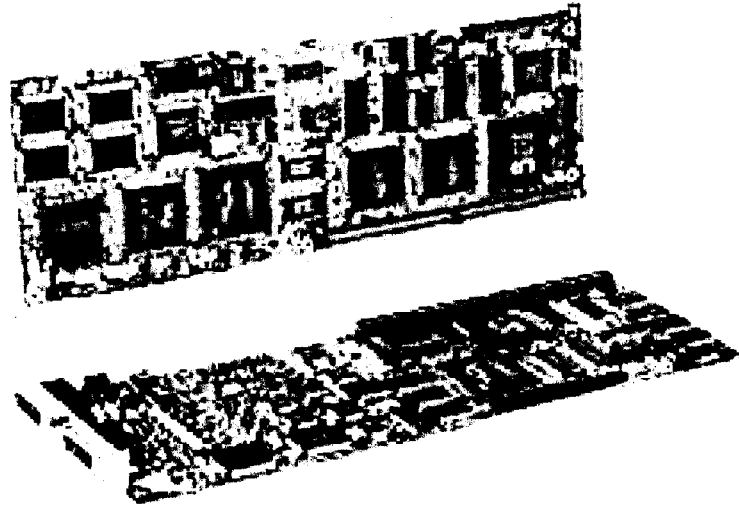




**AFM AUDIO**  
 BVW-60P  
 BVW-65P  
 BVW-95P

**DOCUMENT F-1**

**Matrox DigiSuite DTV** *Realtime Editing Platform for Digital Television*



Matrox® DigiSuite DTV is a highly-integrated, single-slot PCI controller that combines an award-winning realtime mix/effects engine with the complete range of compression formats, audio and video I/O, and connectivity interfaces for digital television. DigiSuite DTV comes with a comprehensive Windows NT® DirectShow™-based SDK (compatible with DigiSuite) to enable OEMs and developers to create a wide variety of cost-effective, high-performance audio/video products and applications including: realtime NLE systems, multilayer compositors, character generators, CATV barker channels, animation workstations, graphics/paint systems, and DVD authoring stations.

**Advanced Realtime Features - All Simultaneously Available!**

- **A** → Two streams of video plus 32-bit animated graphics
- Two wipe/tile generators
- Two channels of color correction
- **B** → Two channels of keyframeable 2D DVE
- Two independent chroma/luma keys
- Independent transparency control on all layers
- Optional 3D DVE

## DOCUMENT F-2

### Multi-Format Compression

- Support for all DV and DV50 formats including Panasonic DVCPRO and DVCPRO 50, JVC Digital-S, Sony DVCAM, and the DV "Blue Book" specification used by several vendors including Sony, JVC, Canon, Sharp, and Panasonic
- MPEG-2 4:2:2 I-frame for variable bit rates between 10 and 50 Mbps
- MPEG-2 4:2:2P@ML and MPEG-2 MP@ML transcoding and output for distribution applications such as broadcast transmission, video server storage, archiving, DVD, and web video streaming.
- Bi-directional Motion-JPEG to DV transcoding allows exchange of material between DigiSuite/DigiSuite LE cards and DigiSuite DTV cards.

### Full Range of I/O and Interconnect Interfaces

- C → 4:3 and 16:9 aspect ratio support
- Composite, Y/C, and analog component video I/O is standard
- D → 4 in/4 out, balanced/unbalanced analog I/O is standard
- Audio clock genlocked to video reference in accordance with SMPTE-272M and AES11-1991
- Movie-2 bus expansion connector
- Optional 1394 interface card provides an IEEE-1394 link and an ultra-wide SCSI controller
- Optional SDI interface module with AES/EBU digital audio I/O
- Optional Matrox SDTI interface card with eight embedded audio I/O channels supports faster than realtime digital video transfers (Please refer to the Matrox SDTI datasheet for detailed information.)
- Additional codec onboard Matrox SDTI card provides realtime print-to-disk in any format, realtime SDTI output, realtime MPEG-to-DV transcoding, and realtime MPEG-to-MPEG transcoding for GOP structure and bit rate modifications
- Optional realtime 3D DVE card