

Anglais

Maintenance des Equipements de Commande des Systemes Industriels

Durée : 1 h 30

Coef. : 2

Rain Bird

RAIN CHECK™

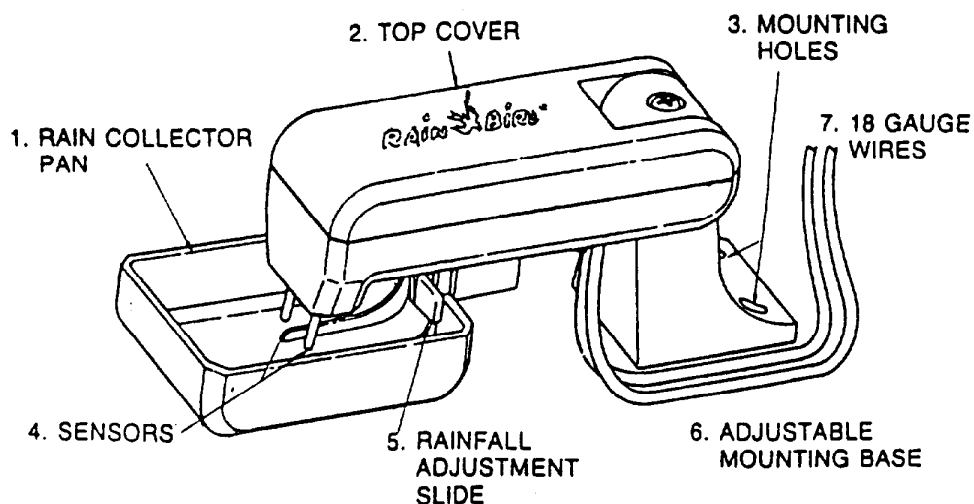
① AUTOMATIC RAIN SHUTOFF DEVICE

[THANK YOU for purchasing Rain Bird's new Automatic Rain Shutoff Device. It is designed to provide you with years of trouble-free operation and will save you both time and money. In order to take advantage of this product's advanced features, please take a few moments and review these instructions.]

FEATURES

- Rugged plastic construction prevents corrosion.
- No microswitches or thermal devices to rust or wear out.
- Saves energy since no separate power wire is required.
- Easily adjusts to your climate. Rainfall adjustment slide (5) lets you decide how much it has to rain (1/8" to 1/2") before sprinklers are kept from starting.
- Returns sprinklers to automatic operation when the water in the rain collector pan has evaporated (Note: collector pan dries out as fast or faster than the soil).
- Can be used with any 24 volt AC sprinkler controller.
- Handles up to three Rain Bird solenoid valves operating simultaneously (1 amp maximum).
- Installs quickly and easily thanks to the fully adjustable mounting base (6), fully removable rain collector pan (1) and the ready-to-use wire connecting screws inside the device.
- Easy to mount decal to remind you that you have an automatic rain shutoff device installed.

FIGURE 1
RAIN CHECK AUTOMATIC RAIN SHUTOFF DEVICE



②

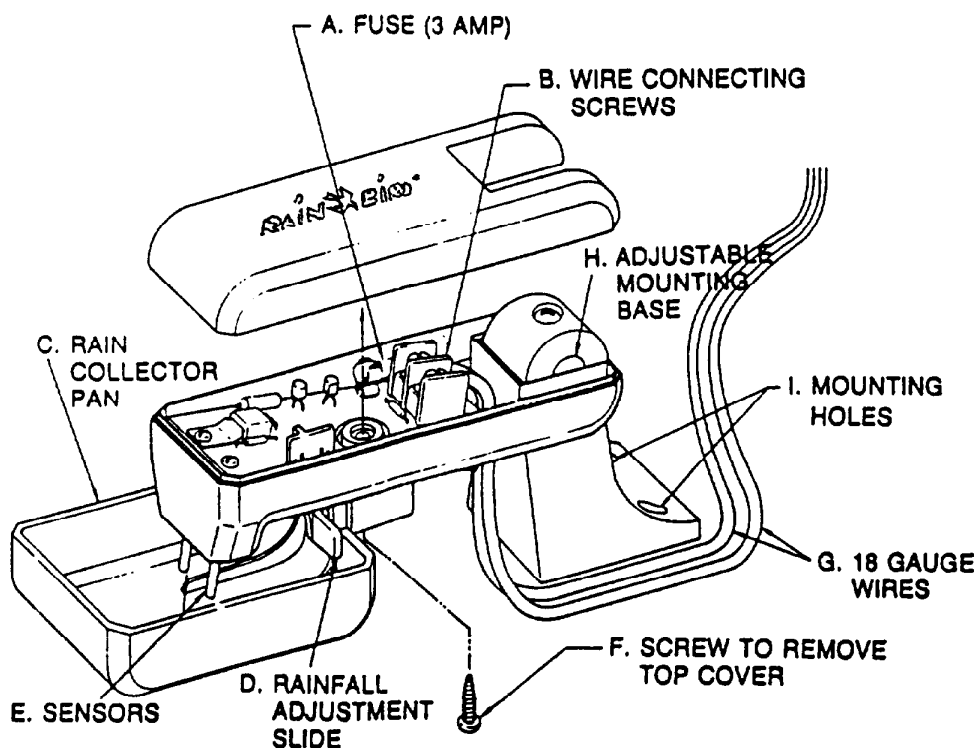
OPERATION

Set the sensors (Fig. 3, #E) at the desired minimum rainfall level by moving the rainfall adjustment slide (Fig. 3, #D) to the right or left. When the sensors are closest to the rain collector pan (Fig. 3, #C), the device will inhibit your watering cycle whenever it rains 1/8" or more. When the sensors are farthest away from the rain collector pan, the device will inhibit your watering cycle whenever it rains 1/2" or more.

To test the device, manually start the irrigation cycle at the controller with the rain collector pan free of water. After the system has started watering, fill the rain collector pan with water. Watering should stop within five to thirty seconds. This verifies proper operation. Empty the rain collector pan, insert it back into the automatic rain shutoff device, and the system is now ready to conserve water.

FIGURE 3

CAUTION: replace only with equivalent 3 amp fuse



③

TIPS & INFORMATION

- 1. It's raining and my sprinklers are on:** Check for blown fuse inside the automatic rain shutoff device. Check the rainfall collector pan. Is it filling with rainwater? Remember, the probes must be touching the water in order to keep your sprinklers off.
- 2. After it rains, my sprinklers stay off too long:** Check the rainfall collector pan. Is it still full of water? In high humidity areas, make sure the device receives direct sunlight to ensure evaporation. And always make sure no sprinkler water can get into the rain collector pan. Also check for unwanted runoff from roof, trees or plants.
- 3. I can't start a manual cycle:** The rain collector pan may be full of water. Check and empty if necessary. The pan is easy to remove. Also, check the fuse or circuit breaker on your controller.
- 4. Rainfall adjustment slide:** Allows you to customize this device to your climate and plant material. The wetter or more humid the climate, the closer the sensors should be to the rain collector pan. Moving the slide left to right, moves the sensors up and down.

Ne rien inscrire sur les parties grisées

B. Travail à faire en anglais

Répondez en anglais aux questions suivantes (Attention ! il ne s'agit pas de recopier le texte...)
(5 points)

a. What is the consequence of a blown fuse when it's raining? (1 pt)

.....
.....

b. An excess of water in the pan may cause malfunctions.
Give two reasons for this excess of water: (2 pts)

.....
.....

c. How should you adjust your device in a rainy country? (2 pts)

.....
.....