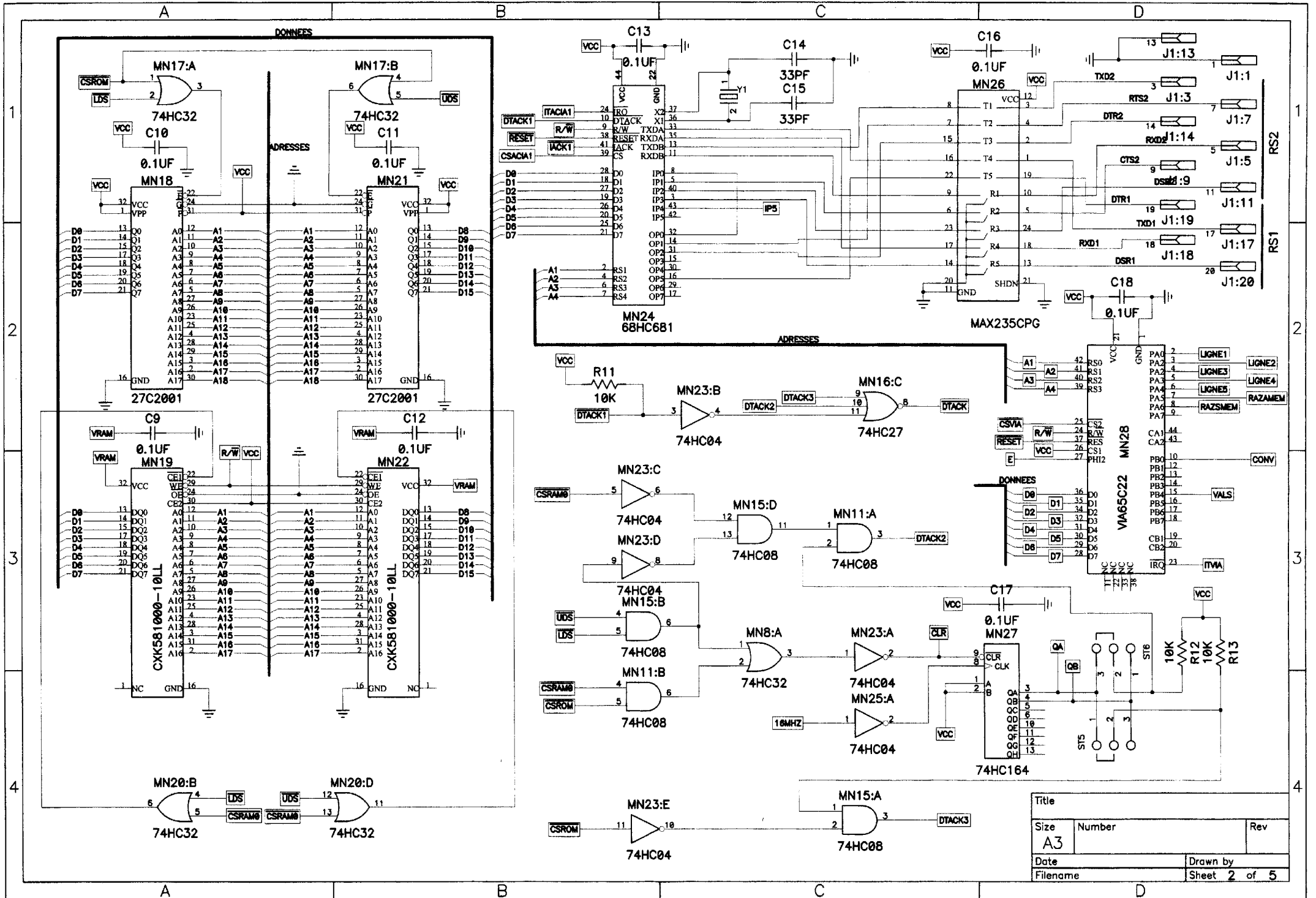
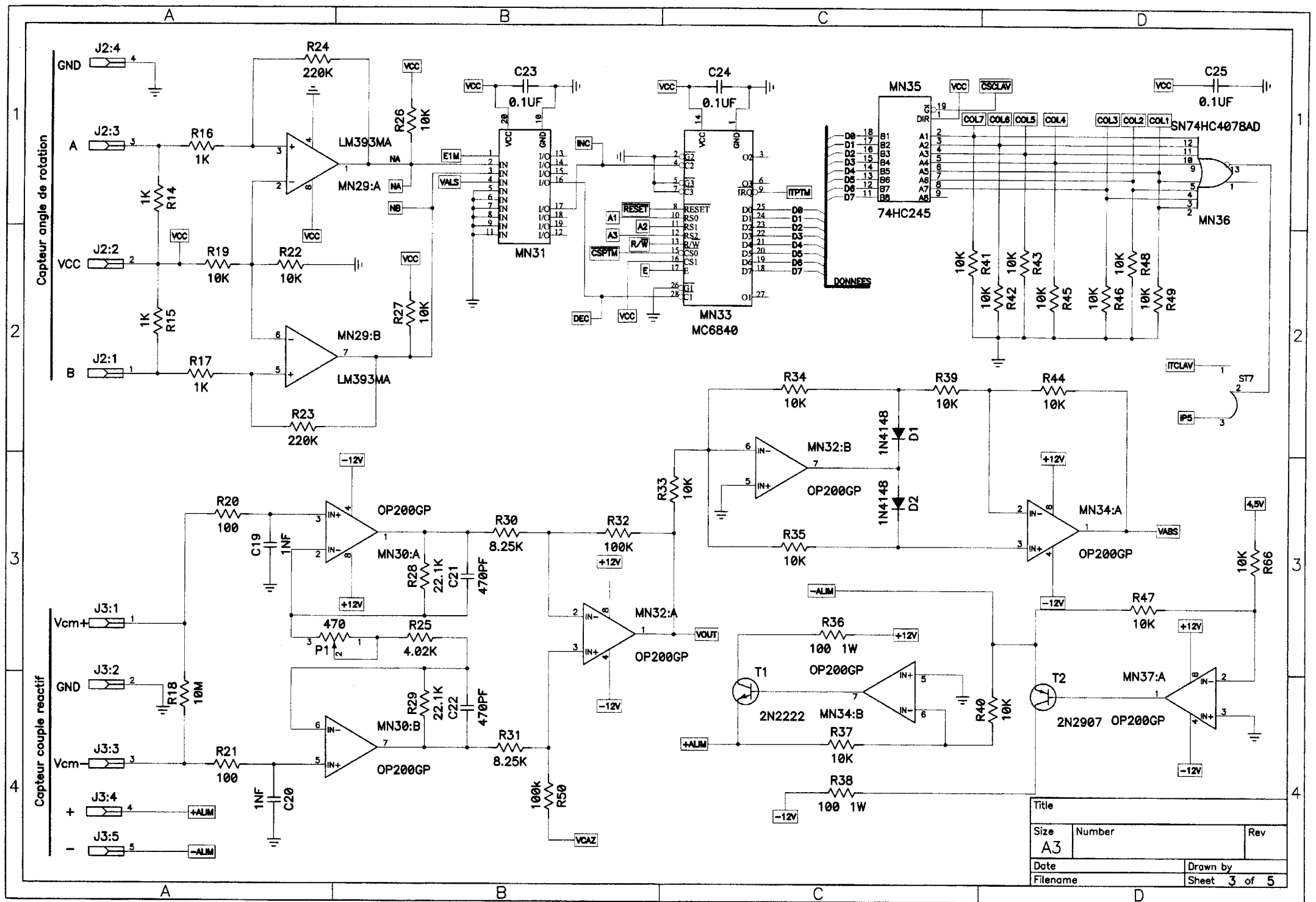


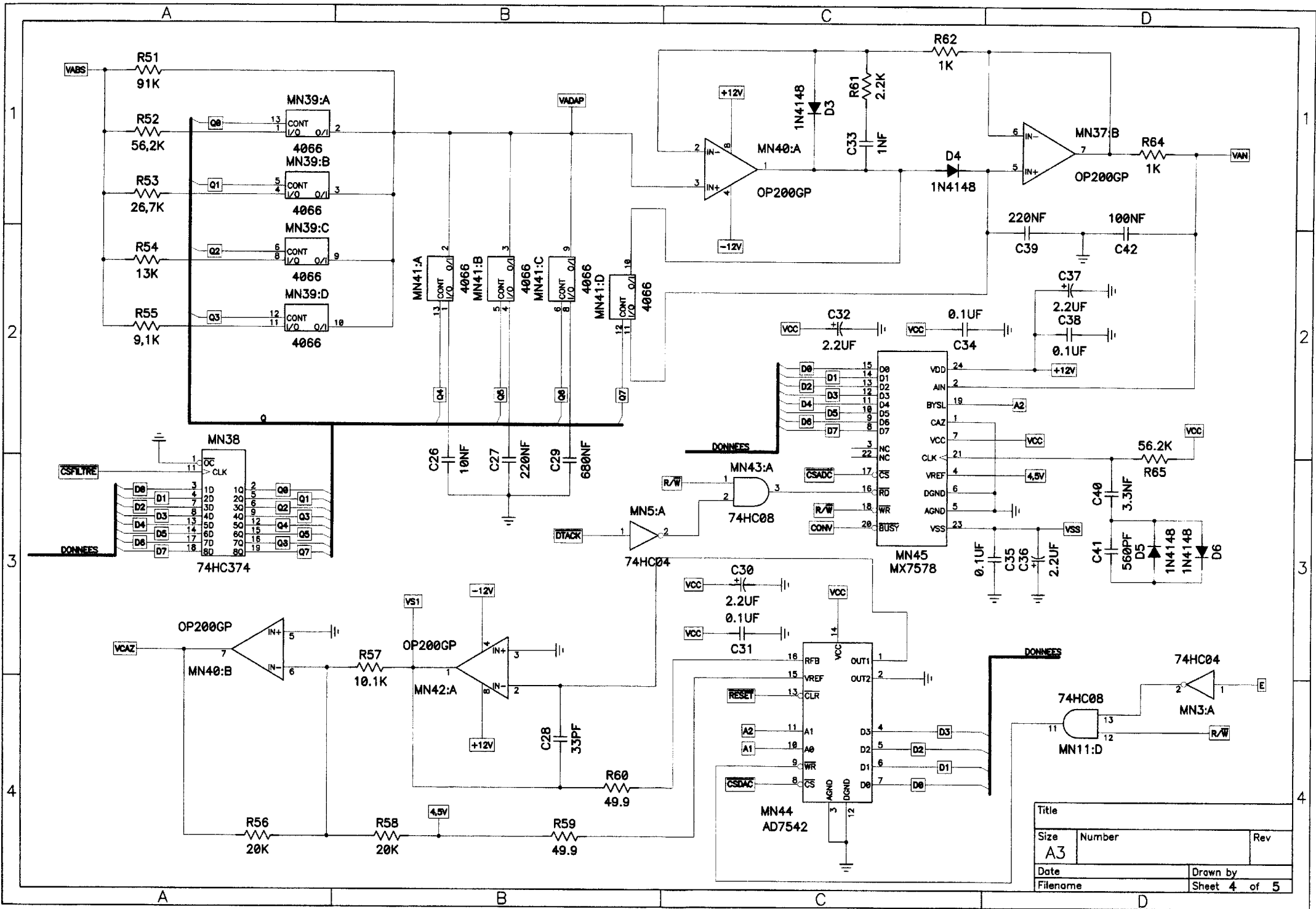
Title		
Size	Number	Rev
A3		
Date	Drawn by	
Filename	Sheet 1 of 5	



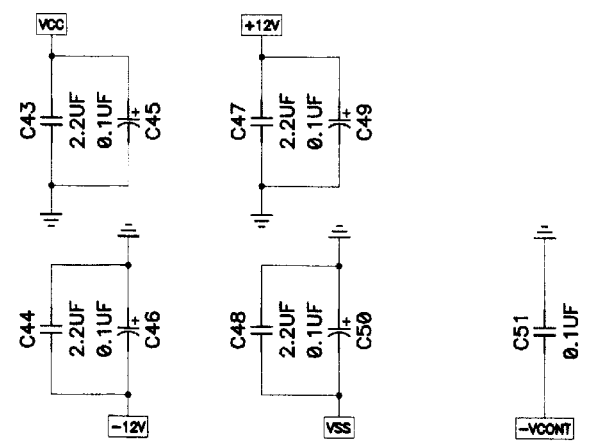
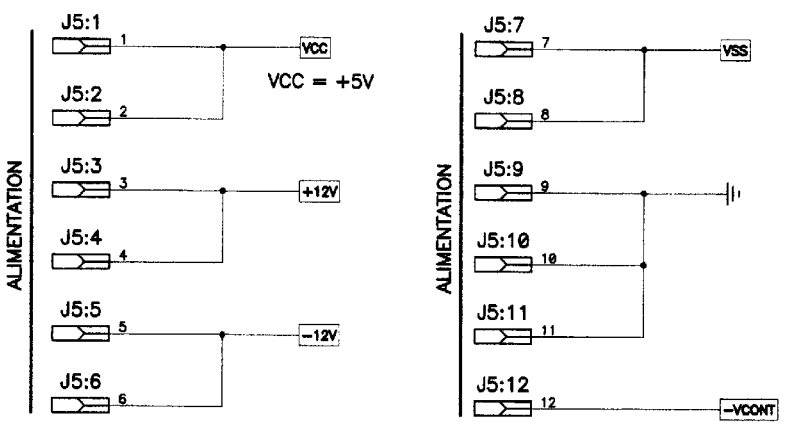
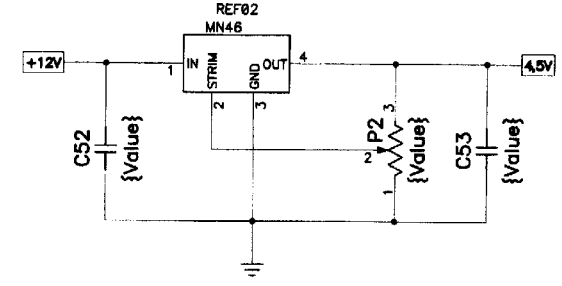
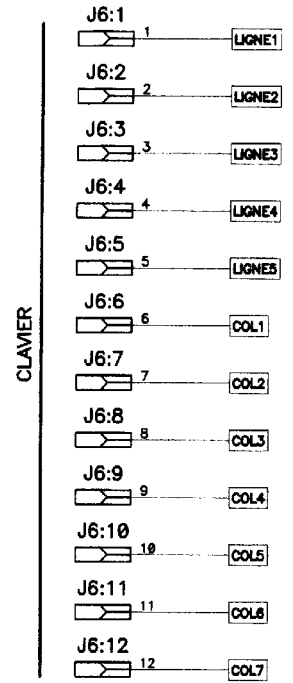
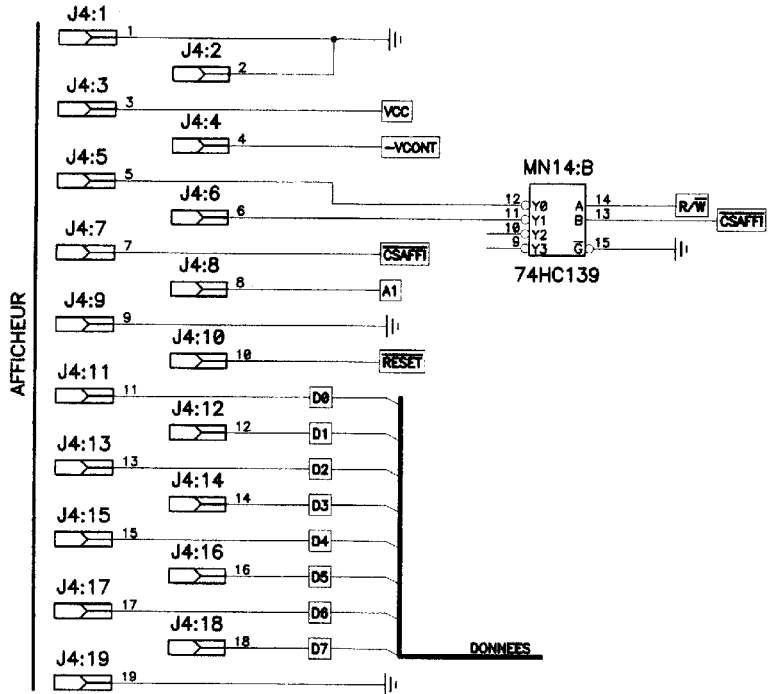
Title		
Size	Number	Rev
A3		
Date		Drawn by
Filename	Sheet 2 of 5	



Title		
Size	Number	Rev
A3		
Date	Drawn by	
Filename	Sheet 3 of 5	



Title		
Size	Number	Rev
A3		
Date	Drawn by	
Filename	Sheet 4 of 5	



Title		
Size A3	Number	Rev
Date	Drawn by	
Filename	Sheet 5 of 5	