

CONSIGNES

L'utilisation du dictionnaire bilingue est autorisée
à l'exception des traducteurs électroniques

Lire attentivement tout le document :

" Great Ideas Are Simple "

***Le candidat répondra
directement sur les feuilles.***

BEP Maintenance des Équipements de Commande des Systèmes Industriels	N° d'anonymat
Épreuve → Anglais	Feuille 1/5



<i>Pilotage national</i>	Sujet	Session 2007	N° d'anonymat :
Examen et spécialité : BEP Maintenance des Équipements de Commande des Systèmes Industriels			
Intitulé de l'épreuve → Anglais			Facultatif : date et heure
Nom et prénom :	Durée : 1 h 30	Coefficient : 2	Feuille 1/5
Date de naissance :			

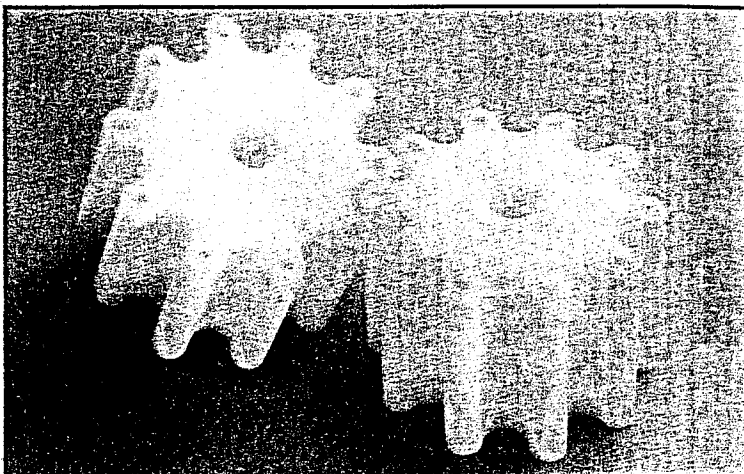


Flowdata, inc.
1784 Firman Drive
Richardson, TEXAS -USA
Phone (214) 907-2787 Fax (214) 907-8016
Toll Free 1-800-833-2448

Great Ideas Are Simple

Features

- Patented Design
- Only Two Moving Parts
- Bearingless Design
- No Dynamic Seals or Rotating Shafts
- Non-Intrusive Sensor
- 1/8" to 4" Line Sizes
- Sanitary and Industrial Versions
- CIP Capability
- Custom Engineered Solutions



Benefits

- Superior Repeatability and Accuracy
- Cost Effectiveness
- Easy to Install and Maintain
- Wide Range of Applications: Clean, Dirty, Abrasive, and High Solids Liquids
- High Reliability
- Operate in Hazardous and Non-Hazardous Environments

Specifications

- Accuracy: Up to $\pm 0.1\%$ of Rate
- Repeatability: Up to $\pm 0.05\%$ of Rate
- Process Temperature: Up to 400°F and Above
- Operating Pressure: Up to 3000 psig and Higher
- Turndown: Up to 1000:1
- Viscosity: Up to 1,000,000 cP

Simply Accurate

Flowdata flowmeters use a unique and patented positive displacement design that combines simplicity with high accuracy.

What makes Flowdata different from other flowmeters?

The Flowdata positive displacement flowmeter took a new approach, rather than simply modifying an old design. It has only two moving parts, the impellers. The engineered thermoplastic impellers eliminate the need for bearings, dynamic seals, rotating shafts, and timing gears. This allows Flowdata to be used on applications that would damage or destroy conventional positive displacement flowmeters. The result is a **Simply Accurate** flowmeter that handles positive displacement applications and many applications usually reserved for other technologies.

How hard is it to maintain Flowdata flowmeters?

With only two moving parts, maintenance is simple. Internal components can be serviced with the flowmeter body in-line. All electronics are outside the flowmeter for easy access. In addition, the simple design has produced a reliability record that is second to none.

Where can a Flowdata flowmeter be used?

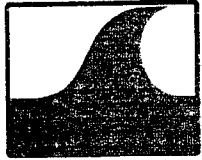
From water to 1,000,000 cP adhesives, Flowdata flowmeters successfully handle a wide variety of applications. Flowdata's clients include a Who's Who of the Fortune 500, in industries such as: chemical, petroleum, food, dairy, beverage, pharmaceutical, automotive, aerospace, pulp and paper, power generation, pollution control, agriculture, and medical.

Are Flowdata flowmeters cost effective?

Competitive pricing combined with a wide array of options, outstanding performance, and easy installation add-up to a cost effective purchase. Furthermore, simple maintenance and durable construction make Flowdata a good long-term investment.

With thousands of flowmeters in service and a worldwide network of representatives, Flowdata has the experience, the technology, and the support you need to meet your demanding flow measurement requirements.

Flowdata, inc. 1-800-833-2448



Flowdata, inc.

1784 Firman Drive
Richardson, TEXAS -USA

Phone (214) 907-2787

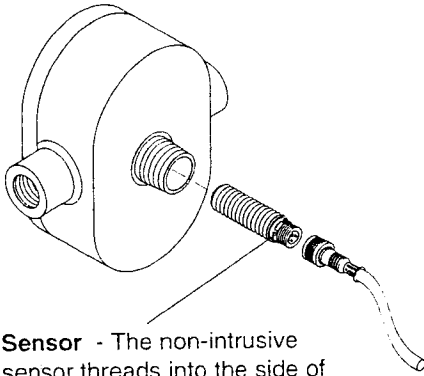
Fax (214) 907-8016

Toll Free 1-800-833-2448

Document
page 2/2

It's Simple and Accurate

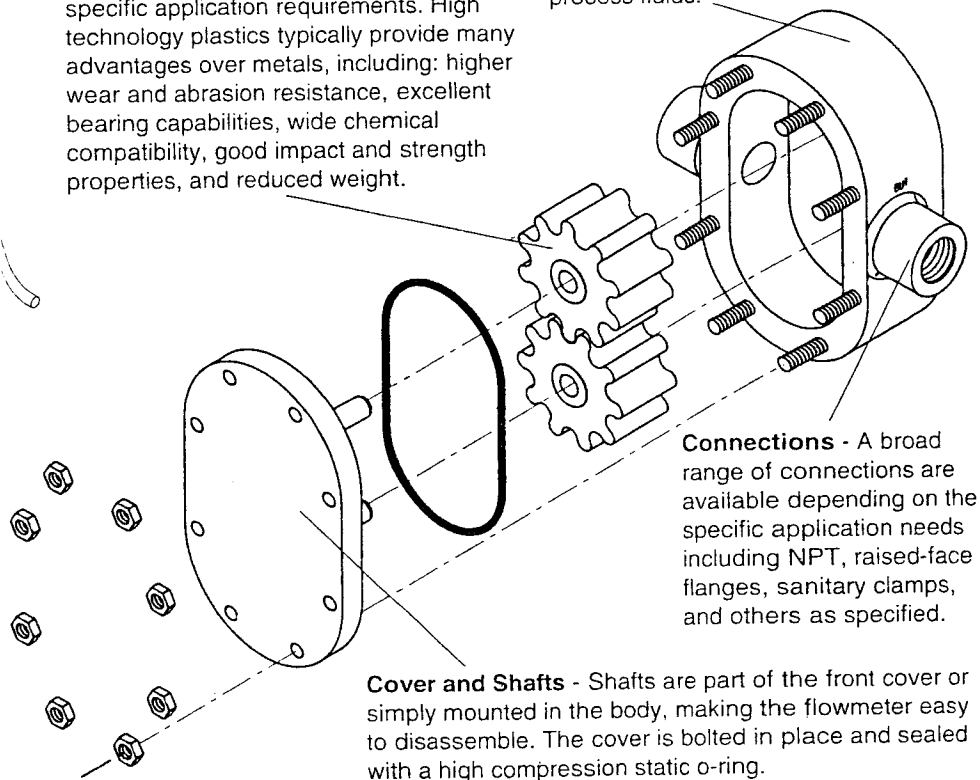
Flowmeter Assembly



Sensor - The non-intrusive sensor threads into the side of the flowmeter. Hall Effect, Magnetic Pick-Up, high temperature, explosion-proof, and optical encoder sensors are available, in addition to a variety of flow controls and transmitters. Explosion-proof conduit connections are provided on industrial flowmeters.

A typical FD05I assembly is shown. Assembly configurations will vary depending on flowmeter series and size. Flowmeters can be customized for specific applications.

Impellers - These are the heart and soul of Flowdata's patented design. They are made of advanced thermoplastics to meet specific application requirements. High technology plastics typically provide many advantages over metals, including: higher wear and abrasion resistance, excellent bearing capabilities, wide chemical compatibility, good impact and strength properties, and reduced weight.



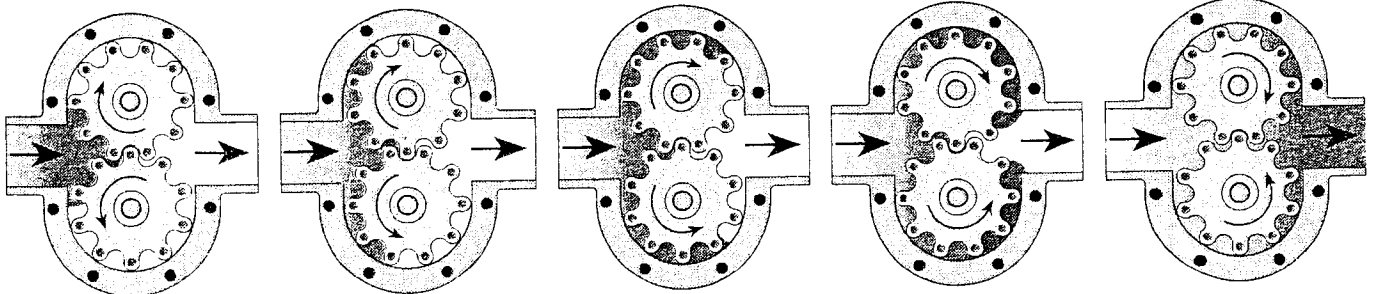
Body - Single piece construction allows the flowmeter to be disassembled for cleaning or maintenance in-line. Tell that to your service engineers! It also protects against contamination of your process fluids.

Connections - A broad range of connections are available depending on the specific application needs including NPT, raised-face flanges, sanitary clamps, and others as specified.

Cover and Shafts - Shafts are part of the front cover or simply mounted in the body, making the flowmeter easy to disassemble. The cover is bolted in place and sealed with a high compression static o-ring.

Principle of Operation

Flowdata flowmeters use two rotating, thermoplastic impellers driven by the flowing liquid. Magnets imbedded in the impellers activate a non-intrusive sensor which generates a pulsed output signal. Each pulse represents a known volume. A K-Factor converts the pulses into engineering units for remote data collection and digital display.



Liquid enters the flowmeter inlet.

"Pockets" formed by the impellers and the wall, capture the liquid.

The "pockets" of liquid force the impellers to rotate.

The liquid is moved towards the down stream side.

Liquid exits through the outlet of the flowmeter.

Simply Accurate!

TRAVAIL À FAIRE PAR LE CANDIDAT

1) RÉPONDRE EN FRANÇAIS :

En vous appuyant sur les informations fournies par le document, précisez en quoi ce matériel est « simple et robuste ».

(9 points)

.....

.....

.....

.....

.....

.....

.....

.....

2) TRADUIRE EN FRANÇAIS :

(5 points)

1- le paragraphe "Cover and Shafts"

(3 pts)

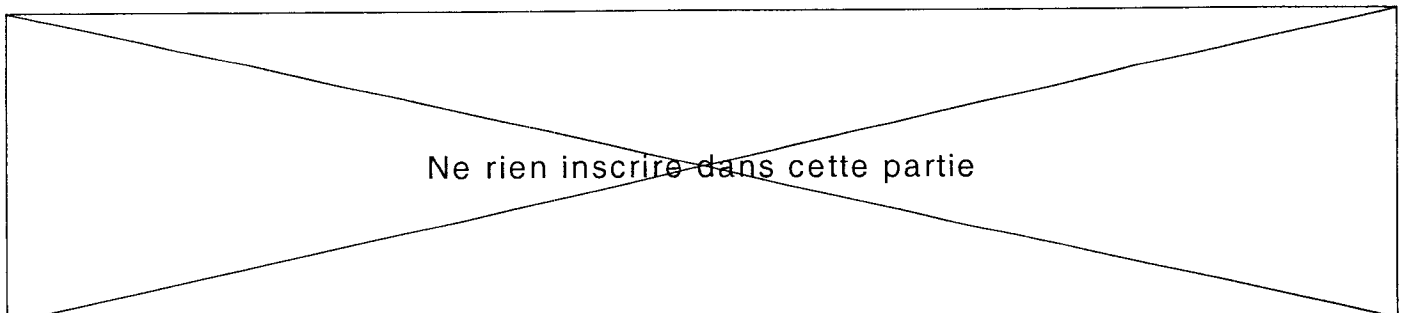
.....

.....

.....

.....

.....



Ne rien inscrire dans cette partie

2- les 4 titres suivants :

(2 pts)

➤ "What makes Flowdata different from other flowmeters?"

.....

➤ "How hard is it to maintain Flowdata flowmeters",

.....

➤ "Where can a Flowdata flowmeter be used",

.....

➤ "Are Flowdata flowmeters cost effective?"

.....

3) ANSWER IN ENGLISH AND JUSTIFY BY QUOTING THE TEXT.

(6 points)

1 - What are the 2 advantages of the body?

(2 pts)

.....

.....

2 - Where are Flowdata flowmeters manufactured?

(1 pt)

.....

.....

3 - Are they distributed in France only?

(1 pt)

.....

.....

4 - Can the FD051 assembly be adapted to a company's specifications?

(2 pts)

.....

.....



Ne rien inscrire dans cette partie