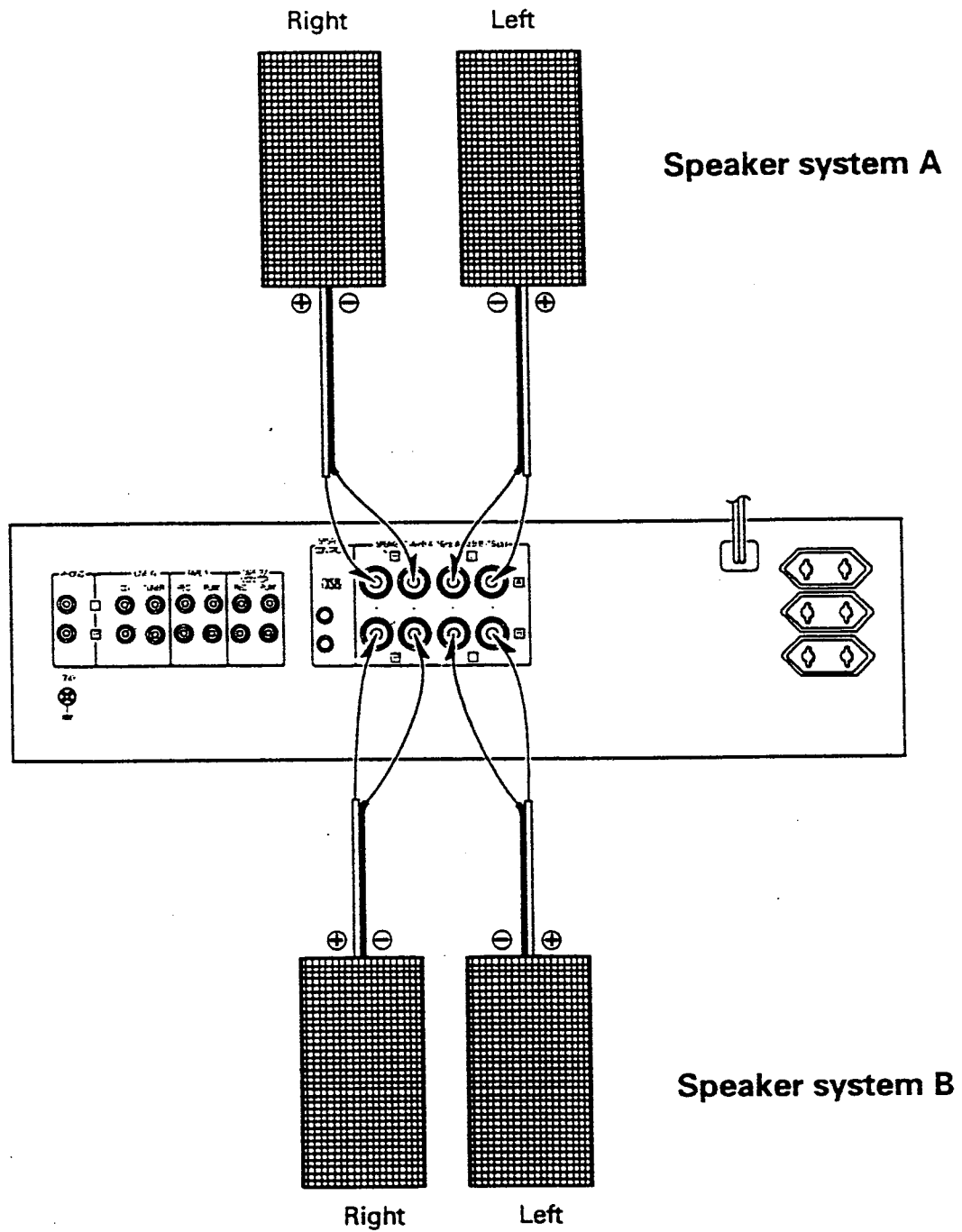


Speaker connections

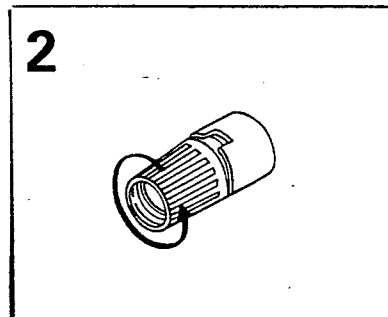
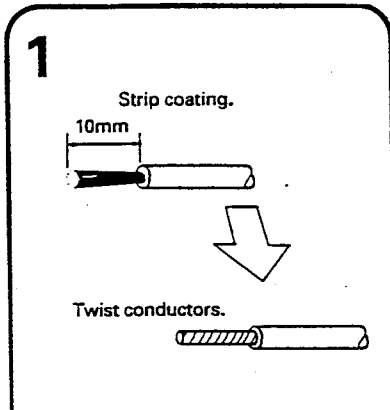


KENWOOD

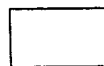
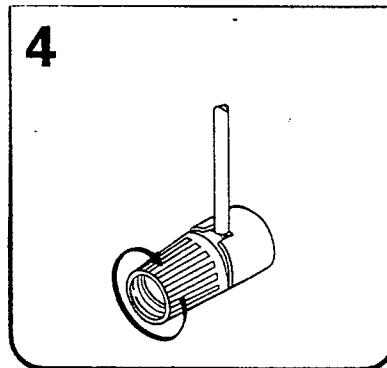
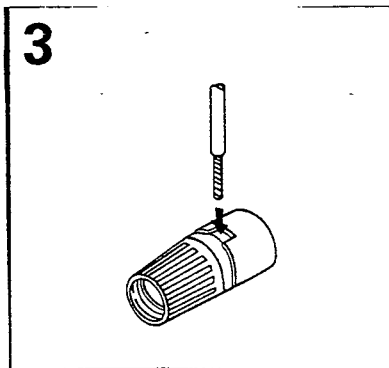
GROUPEMENT EST	Session 2001	SUJET	Tirages
BEP M.E.C.S.I.		Code	
Epreuve : ANGLAIS	Durée 1 h 30 - Coef 2	1/6	

L'UTILISATION DE TOUT DICTIONNAIRE BILINGUE EST AUTORISEE

1. Retrouvez la consigne qui correspond aux schémas en inscrivant la lettre dans la case qui convient.
(2 points)



- a. Turn clockwise to secure the cord.
- b. Fully insert the cord.
- c. Prepare the cord.
- d. Turn counterclockwise to loosen.



2.

Notes on speaker connections

- Never short-circuit the + and – speaker cords.
- If the left and right speakers are connected inversely or if the speaker cords are connected with reversed polarity, the sound becomes unnatural with ambiguous acoustic image positioning. Be sure to connect the speakers and speaker cords correctly.

Quelles sont les deux précautions à prendre lors du branchement des enceintes ? (2 points)
Répondez en FRANÇAIS.

.....

.....

.....

.....

.....

3.

Speaker impedance

When only one pair of speakers is connected to A or B speaker terminals, use the speakers having an impedance of 4 to 16 Ω .
When two pairs of speakers are connected to both A and B terminals simultaneously, use the speakers having an impedance of 8 to 16 Ω .
In this case, connecting a speaker having an impedance of less than 8 Ω may cause malfunction of the amplifier.

Lorsqu'on relie simultanément deux paires d'enceintes, peut-on utiliser des enceintes ayant une impédance de 5 Ω ? Justifiez votre réponse en FRANÇAIS (2 points).

.....

.....

.....

.....

.....

4. Lisez le document suivant et répondez aux questions A, B et C.

In case of difficulty

What appears to be a malfunction may not always be serious. If your unit should not perform as expected, consult the table below to see if the problem can be corrected before seeking help from your dealer or service representative.

Amplifier, speakers

Symptom	Cause	Remedy
No sound is heard. (Low sound level.)	<ul style="list-style-type: none"> ● The SPEAKERS select knob is set to OFF. ● The speaker cords are disconnected. ● The VOLUME CONTROL knob is set to minimum. ● The amplifier's muting function is on. (The MUTING indicator is lit.) ● The audio cord connections are not made properly. 	<ul style="list-style-type: none"> ● Set the SPEAKERS select switch to ON. ● Read the "System connections" section and properly connect the speaker cords. ● Adjust the volume to an appropriate level. ● Set the MUTING key to OFF. (The indicator goes out.) ● Check the audio cord connections.
Sound is heard from only one speaker (channel).	<ul style="list-style-type: none"> ● A speaker cord is disconnected. ● The BALANCE control is set fully to one side. 	<ul style="list-style-type: none"> ● Read the "System connections" section and properly connect the speaker cord. ● Adjust the left/right balance.
A loud humming noise is heard when INPUT SELECTOR is set to PHONO.	<ul style="list-style-type: none"> ● The turntable's audio cords are not inserted firmly into the PHONO jacks. ● The turntable's ground wire is not connected. 	<ul style="list-style-type: none"> ● Securely insert the audio cords into the PHONO jacks. ● Connect the ground wire to the GND terminal on the amplifier's rear panel.
There is a difference in sound volume between TUNER and PHONO.	<ul style="list-style-type: none"> ● The output levels of the tuner and turntable are different. 	<ul style="list-style-type: none"> ● Adjust the volume to an appropriate level.

Remote control unit

Symptom	Cause	Remedy
Remote control operation is not possible.	<ul style="list-style-type: none"> ● Batteries are exhausted. ● The audio cords and the system control cords are not connected properly. ● The remote control unit is too far away from the main system, controlling angle is too large, or there is an obstacle in between. 	<ul style="list-style-type: none"> ● Replace with new batteries. ● Connect properly referring to "System connections". ● Operate the remote control unit within the controllable range.

Speaker protection circuit

When this unit's power is turned ON with the speaker cable short-circuited, the speaker protection circuit functions. If the ON/STAND BY indicator blinks and no sound occurs, turn the power OFF, remove the short-circuit, then turn the power ON again.

Notes:

1. This system is microprocessor-controlled, so malfunction may occur due to external noise or interference noise. In such a case, unplug the power cord, plug it while pressing POWER key.
2. Do not use contact cleaners because it could cause a malfunction. Be specially careful against contact cleaners containing oil, for they may deform the plastic components.

For the U.S.A.

FCC WARNING:

This equipment may generate or use radio frequency energy. Changes or modifications to this equipment may cause harmful interference unless the modifications are expressly approved in the instruction manual. The user could lose the authority to operate this equipment if an unauthorized change or modification is made.

A) Complétez en FRANÇAIS le tableau suivant. (4 points)
 (Ne remplissez pas les cases noircies.)

PROBLEME	CAUSE	SOLUTION
Le son ne provient que d'une enceinte.	<ul style="list-style-type: none"> • • • 	
<ul style="list-style-type: none"> • • • • • 	Les cordons audio de la platine ne sont pas insérés correctement dans les prises jack	
Il y a une différence de volume entre le tuner et la platine.		<ul style="list-style-type: none"> • • • •
La télécommande ne fonctionne pas.	<ul style="list-style-type: none"> • • • • 	Utiliser la télécommande uniquement dans le champ d'action.

B) Répondez en ANGLAIS aux questions suivantes en rédigeant des phrases complètes (3 points).

a. What must you do if the ON/STAND BY indicator blinks ?

.....
.....

b. What may happen if you hear an external noise ?

.....
.....

c. Why can't you use contact cleaners containing oil ?

.....
.....

C) Traduisez le passage suivant (3 points).

Changes or modifications to this equipment may cause harmful interference unless the modifications are expressly approved in the instruction manual. The user could lose the authority to operate this equipment if an unauthorized change or modification is made.

.....
.....
.....
.....
.....

5. Production écrite en ANGLAIS

Vous séjournez dans une famille anglaise. La chaîne hi-fi est en panne. Vos hôtes vous demandent de vérifier leur appareil.

Rédigez la conversation en 80 mots minimum.

.....
.....
.....
.....
.....
.....
.....
.....
.....
.....
.....